

50mm O-Belt Pulleys Curved Conveyor Motorized Drive Roller Covered With PVC Taper Sleeve

Our Product Introduction

for more products please visit us on drum-roller.com

Basic Information

- Place of Origin: China Jiangsu
- Brand Name: Winroller
- Certification: CE,SGS,ISO9001,ROHS,UL
- Model Number: Winroller 50mm O-Belt Pulleys Curved Conveyor Motorized Drive Roller
- Minimum Order Quantity: 1stick
- Price: Contact Us
- Packaging Details: Wooden case
- Delivery Time: 7-15 word days
- Payment Terms: TT, L/C
- Supply Ability: 1000000/year



Product Specification

- Product Name: 50mm O-Belt Pulleys Curved Conveyor Motorized Drive Roller
- Diameter: 50mm
- Voltage: DC24V
- Linkage Mode: O-belt Pulleys, V-belt Pulleys, Timing Pulleys
- Material: Carbon Steel Covered With PVC Soft Adhesive
- Rated Power: 40W
- Linear Velocity: 1.22 ~ 14m/min
- Torque: 3.29N·M
- Highlight: **DC24V Motorized Drive Roller, Curved Conveyor Motorized Drive Roller, DC24V motorized conveyor roller**



More Images



Product Description

50mm O-Belt Pulleys Curved Conveyor Motorized Drive Roller Covered With PVC Taper Sleeve

Features Overview of 50mm O-Belt Pulleys Curved Conveyor Motorized Drive Roller

The 50mm O-belt pulleys curved conveyor motorized drive roller, covered with PVC soft rubber for enhanced grip and protection, features a space-saving brushless DC gear motor with smart control compatibility, offering energy-efficient, precise speed regulation and smooth, quiet operation for light to medium load applications in industries such as food processing, logistics, and medical production.

Function of 50mm O-Belt Pulleys Curved Conveyor Motorized Drive Roller

Energy-Efficient Operation: Features a built-in brushless DC gear motor for reliable and energy-saving performance.

Light to Medium Load Handling: Specifically designed to manage light to medium load applications effectively.

Enhanced Grip and Protection: PVC soft rubber surface increases grip, reduces slippage, and protects transported items from damage.

Precise Speed Control: Supports a speed range from 1.22 to 14 m/min, allowing for flexibility in operational adjustments.

Smart Control Compatibility: Integrates seamlessly with various smart control systems for enhanced automation efficiency.

Durable Construction: Made from galvanized carbon steel or stainless steel for increased durability in challenging environments.

High Protection Rating: IP66/67 rating safeguards against dust and water, making it suitable for diverse industrial applications.

Versatile Applications: Ideal for use in food processing, medical production, logistics, and other material handling scenarios.

Application of 50mm O-Belt Pulleys Curved Conveyor Motorized Drive Roller

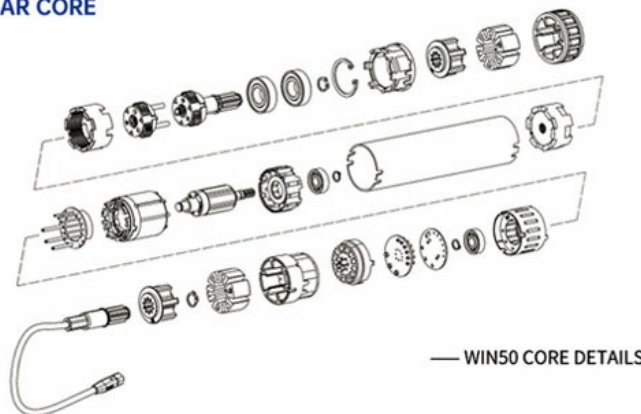
- Food Processing
- Medical Production
- Logistics
- Electronics Assembly
- Packaging
- E-commerce
- Automated Production Lines
- Material Handling Systems

Technical Parameters of 50mm-O Belt Pulleys Curved Conveyor Motorized Drive Roller

50mm O-Belt Pulleys Curved Conveyor Motorized Drive Roller

Application	Food processing, medical production, electronics assembly, airport logistics, postal services, distribution and various industries	Diameter	50mm
Voltage	DC24V	Rated Power	40W
Linear Velocity	1.22 ~ 14m/min	Torque	3.29N·M
Linkage Mode	O-belt pulleys, V-belt pulleys, timing pulleys	Material	Carbon steel covered with PVC soft adhesive

MODULAR CORE



BASIC TECHNICAL PARAMETERS

Voltage	DC24V				DC48V			
	Standard		Enhanced		Standard		Enhanced	
Motor type	S1	S2	S1	S2	S1	S2	S1	S2
Working system	S1	S2	S1	S2	S1	S2	S1	S2
Rated power	40W	50W	80W	100W	40W	50W	80W	100W
Rated current	3A	3.5A	6A	6.8A	1.5A	1.8A	3.2A	4.0A
Starting current	6A	7.0A	11.6A	13.6A	3.0A	3.6A	6.6A	8.0A
Unload running noise	(≤ 55dB)							
Standard cable length	1000mm							
Tube length	300-1500mm							
Working ambient temperature	-30°C ~60°C							
Motor shaft	d12mm							
Anti-Static	yes							
Shell I thickness	1.5mm							
Shell material	X:galvanized steel S3:stainless304							
Shell outside coat	P:PU coated JT:sleeve JZ:rubber JP:PVC JG:silicone							

Note: Switch S1/S2 working system through the controller dip switch function.

WIN50-MOTORIZED ROLLER CHARACTERISTIC TABLE

Nominal speed	Speed adjustable range 8.7%-100%	Standard								Enhanced							
		S1 working system(40W)				S2 working system(50W)				S1 working system(80W)				S2 working system (100W)			
		Torque N.m		Traction N		Torque N.m		Traction N		Torque N.m		Traction N		Torque N.m		Traction N	
		rated	start	rated	start	rated	start	rated	start	rated	start	rated	start	rated	start	rated	start
10	0.87-10	5.5	30.3	220	1210	6.7	33.5	268	1340	9.5	52.5	380	2090	10.6	53	424	2120
14	1.22-14	3.98	21.9	159.2	875.6	4.8	24	192	960	6.8	37.4	272	1496	7.68	38.4	307.2	1536
22	1.91-22	2.8	15.4	112	616	3.37	16.85	134.8	647	4.7	25.8	188	1034	5.36	26.8	214.4	1072
26	2.26-26	2.4	13.2	96	528	2.9	14.5	116	580	4.1	22.6	164	902	4.6	23	184	920
36	3.13-36	1.7	9.4	68	374	2.1	10.5	84	420	2.9	16	116	638	3.3	16.5	132	660
51	4.43-51	1.20	6.6	48	264	1.44	7.2	57.6	288	2.0	11	80	440	2.3	11.5	92	460
60	5.22-60	1.02	5.6	40.8	224.4	1.24	6.2	49.6	248	1.75	9.6	70	385	1.97	9.85	78.8	394
83	7.22-83	0.74	4.1	29.6	162.8	0.9	4.5	36	180	1.3	7.2	52	286	1.42	7.1	56.8	284
120	10.44-120	0.51	2.8	20.4	112.2	0.62	3.1	24.8	124	0.88	4.8	35.2	193.6	0.98	4.9	39.2	196

NOTE: 3-STAGES OF GEAR REDUCTION 2-STAGES OF GEAR REDUCTION

S1 working system--Suitable for continuous material transfer, such as belt conveyor.

S2 working system--Suitable for intermittent material transfer, such as box transfer.

※ 1. 1N=0.1kgf, 1N·m=0.1kgf·m;

※ 2. The value of the characteristic table is for reference only;

※ 3. At constant speed closed loop control, no load or rated load, the speed is consistent;

※ 4. The speed adjustable range is 8.7%-100% of the rated speed;

※ 5. Other speeds can be customized:For faster speeds, please refer to DGDD direct drive motorized roller catalog;

※ 6. Sprocket drive mode conform this table.; Poly-V belt drive mode single modular load 200KG Max.

O belt mode single modular load 35kg Max.

reminder:

The switch power supply of a single motorized roller should be selected 1.5 times according to the motorized roller power.

BL50 Surface treatment

The standard model of the electric drum designed by our company is not covered by glue by default. If you need, we can do the glue wrapping treatment. The glue surface has plane, herringbone, diamond pattern, etc; Most specifications can have additional functions; For example, in different environments, the exposed parts such as shaft and barrel can be made of wear-resistant and corrosive materials, stainless steel, etc. Silica gel for food industry is food grade. Waterproof roller can be selected for those with waterproof requirements.

<p>POLYURETHANE ADHESIVE</p> <p>Excellent wear resistance Low temperature resistance, ozone resistance, radiation resistance, electrical insulation, good adhesion Good cushioning and shock absorption Good oil and drug resistance</p> 	<p>PVC SOFT ADHESIVE</p> <p>Temperature resistance characteristics Weatherability Electrical insulation performance Low surface tension and low surface energy Physiological inertia</p> 
<p>BLACK RUBBER</p> <p>Good elasticity Friction, Prevent slipping, protect goods Reduce noise</p> 	<p>PVC SOFT ADHESIVE</p> <p>Temperature resistance characteristics Weatherability Electrical insulation performance Low surface tension and low surface energy Physiological inertia</p> 

Note : It's just the typical technical data for you reference, The specification such as voltage, speed, torque, shaft can be customized by your needs. Please contact us for more details. Thanks.

Feature Picture of 50mm O-Belt Pulleys Curved Conveyor Motorized Drive Roller





WIN ROLLER JIANG SU Winroller Technology Co., Ltd.

+86 18168399322

winroller.market@gmail.com

drum-roller.com

